

Application

Surge protective device, protect against lightning surge voltages in solar system (photovoltaic power supply system). These units must be installed in parallel on the dc networks to be protected and provide common and different modes protection. Its installed location are recommended at both ends of the dc power supply line (solar panel side and inverter/converter side), especially if the line routing is external and long. High energy MOVs equipped with specific thermal disconnectors and related failure indicators.



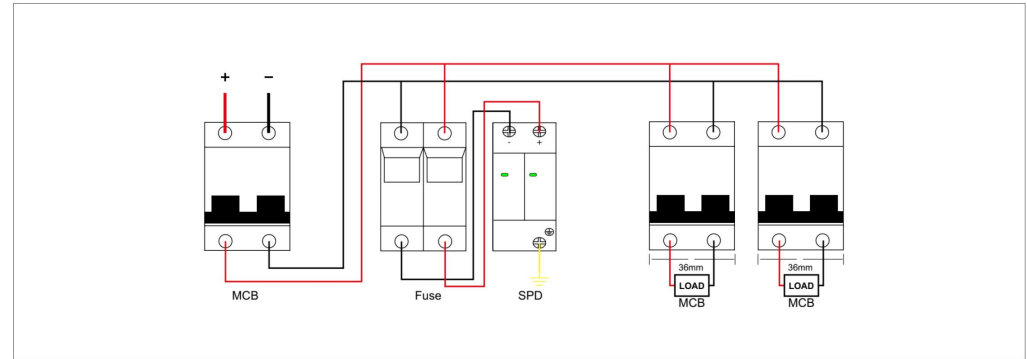
Specifications

Product Model	YTTS1-PV	
Pole	2P	3P
Rated Frequency	One port	
SPD Category	Combined type	
Test Category	Class II test	
Colour	White	White
Maximum Continuous Operating Voltage U _c	600VDC 1000VDC	1000VDC 1500VDC
Voltage Protection Level U _p (8/20μs)	≤2.8kV	≤3.5kV
Nominal Discharge Current I _n (8/20μs)	20kA	20kA
Maximum Discharge Current I _{max} (8/20μs)	40kA	40kA
Response Time t _A	≤25ns	
Size(mm)	36×85×66	54×85×66
Failure Indication	Green: Normal Red: Failure	
Sectional Area Of Wires	6~25mm ²	
Installation Method	35mm standard rail	
Working Environment Temperature	-40°C ~+85°C	
Sheathing Material	Plastic	
Protection Level	IP20	
Executive Standard	IEC 61643-31	

Features

1. Type 2 surge protective device for Photovoltaic.
2. Module design, convenient installation, could be replaced.
3. Time of response <25ns.
4. The color of visible window shows operating status, green means normal, red
5. No leakage, no operating currents.
6. Remote Signaling (option).

Wiring diagram



Dimension

